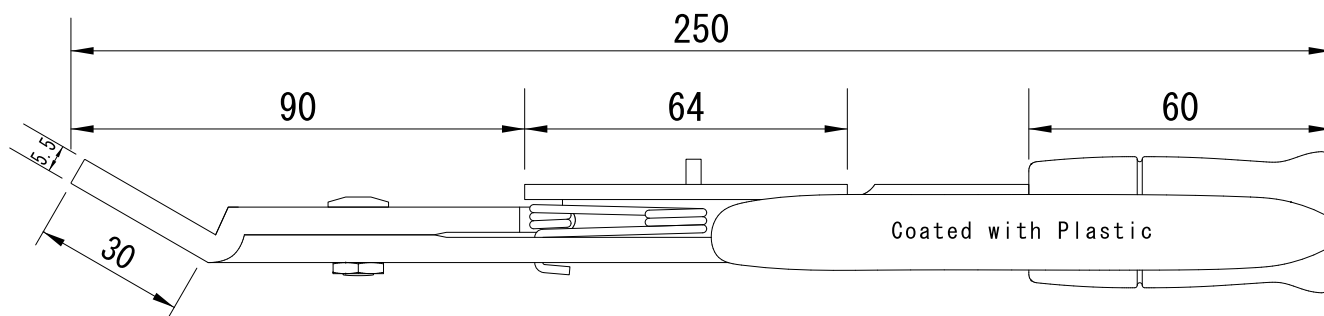


Aperture 10~12mm
 Maximum ≈25mm



REV	Date	Content		Drawn
00	2013.11.13	New Drawing		
Approved	Checked	Drawn	Type	BN200YU2
			Name	Dimensional Drawing
			No	TKPW-08-00
HERUTU ELECTRONICS CORPORATION				