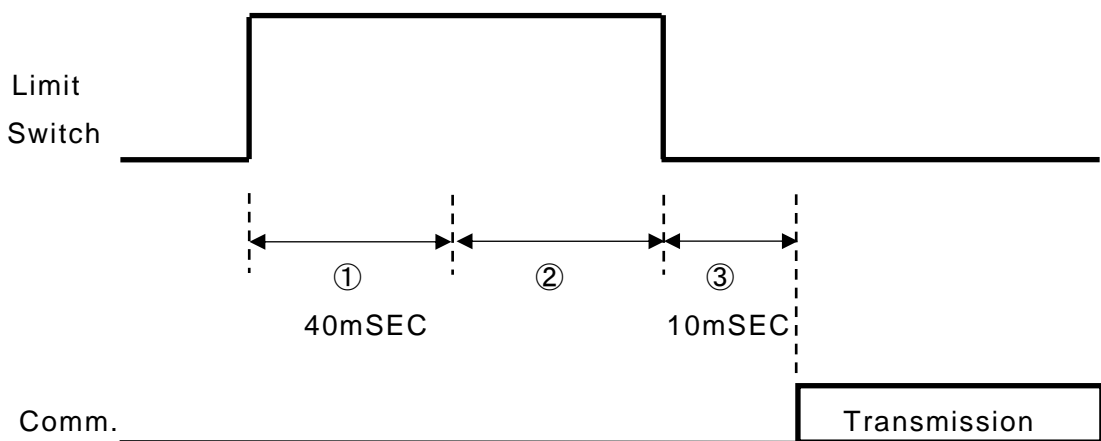


TW-810T-PLR Instruction Manual

This Instruction Manual only describes the points that differ from TW-810T.
Regarding other functions, see “TW-800T Instruction Manual”.

- Timing of limit switch input and signal transmission

The TW-810T transmit a signal when the limit switch input is turned ON, but the TW-810T-PLR is designed to transmit a signal when the limit switch input is settled and turned OFF.



- ① The input is confirmed when the limit switch input is ON for about 40mSEC or more.
- ② Wait for the input to turn off once the input is fixed.
- ③ When the input OFF becomes about 10mSEC or more, OFF is confirmed and communication starts.

***Since the next limit switch input cannot be received during communication, it is necessary to wait more than the communication time (about 200mSEC).**

- Regarding battery life

Approx. 300,000 uses (depending on usage conditions)

HERUTU

HERUTU ELECTRONICS CORPORATION

422-1 Higashimikata-cho, Kita-ku, Hamamatsu, Shizuoka, 433-8104 Japan

(Sales dept) TEL. +81-53-438-3555 FAX. +81-53-438-3411

Website URL <https://www.herutu.co.jp/en/> E-mail info@herutu.co.jp